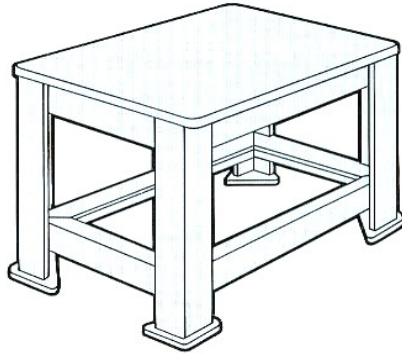
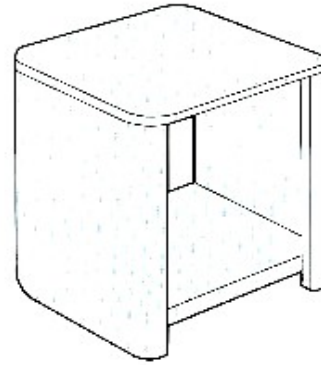




# Machine Bases and Tables



Heavy Table Base Style 10A



Plain Table Base Style 10B

## Standard Features

11 Sizes, 19 Models · Rugged Welded Steel · Blanchard Ground Top Plate · Gray Enamel Paint

MODEL	DIMENSIONS IN INCHES		TOP PLATE	APPROXIMATE
	WIDTH x LENGTH	TOTAL HEIGHT	THICKNESS	WEIGHT (lbs.)
T24-10A24	24 x 24	32"	3/4"/1"/1-1/2"	264/305/386
T30-10A30	30 x 30	32"	3/4"/1"/1-1/2"	349/413/540
T36-10A36	36 x 36	32"	3/4"/1"/1-1/2"	450/542/725
T42-10A42	42 x 42	32"	3/4"/1"/1-1/2"	567/692/942
T48-10A48	48 x 48	32"	1"/1-1/2"/1-3/4"	861/930/976
T60-10A60	60 x 60	32"	1"/1-1/2"/1-3/4"	1261/1770/2025
T72-10A72	72 x 72	32"	1"/1-1/2"/1-3/4"	1744/2474/2841
T18-10B18	18 x 18	32"	3/4"	200
T18-10B24	18 x 24	32"	3/4"	231
T18-10B30	18 x 30	32"	3/4"	266
T24-10B24	24 x 24	32"	3/4"	298
T24-10B30	24 x 30	32"	3/4"	340
T24-10B36	24 x 36	32"	3/4"	381
T24-10B48	24 x 48	32"	3/4"	463
T30-10B30	30 x 30	32"	3/4"	412
T30-10B36	30 x 36	32"	3/4"	449
T30-10B48	30 x 48	32"	3/4"	565
T36-10B36	36 x 36	32"	3/4"	597
T36-10B48	36 x 48	32"	3/4"	668

## Accessories

Mounting Holes · Coolant Trough · Surface Grinding · Keyways · Leveling Screws  
 Custom Designed Bases · Other Material Construction · T-Slots · Optional Paint



MILWAUKEE  
SLIDE AND  
SPINDLE

## FAMCO MACHINE DIVISION

BELCO INDUSTRIES, INC.  
 1001-31<sup>ST</sup> STREET  
 KENOSHA, WISCONSIN 53140  
 PHONE NO.: 1-262-654-3516  
 FAX NO.: 1-262-654-0803  
 e-mail: [SALES@FAMCOMACHINE.COM](mailto:SALES@FAMCOMACHINE.COM)